

3/13/2026 1:39 PM utc; Generated by Tyler Chumley

ClaytonGO: Foundation Plan Summary

Order Number: **N/A**
 Model Number: **946-46ALL32603AH26 CRESTWOOD**
 Home Building Facility: **946**

Home Width: **30 FT 0 IN**
 Foundation Length: **60 FT 0 IN**
 Outrigger Length (O.R.): **40.25 IN**
 Chassis Spacing: **99.5 IN**

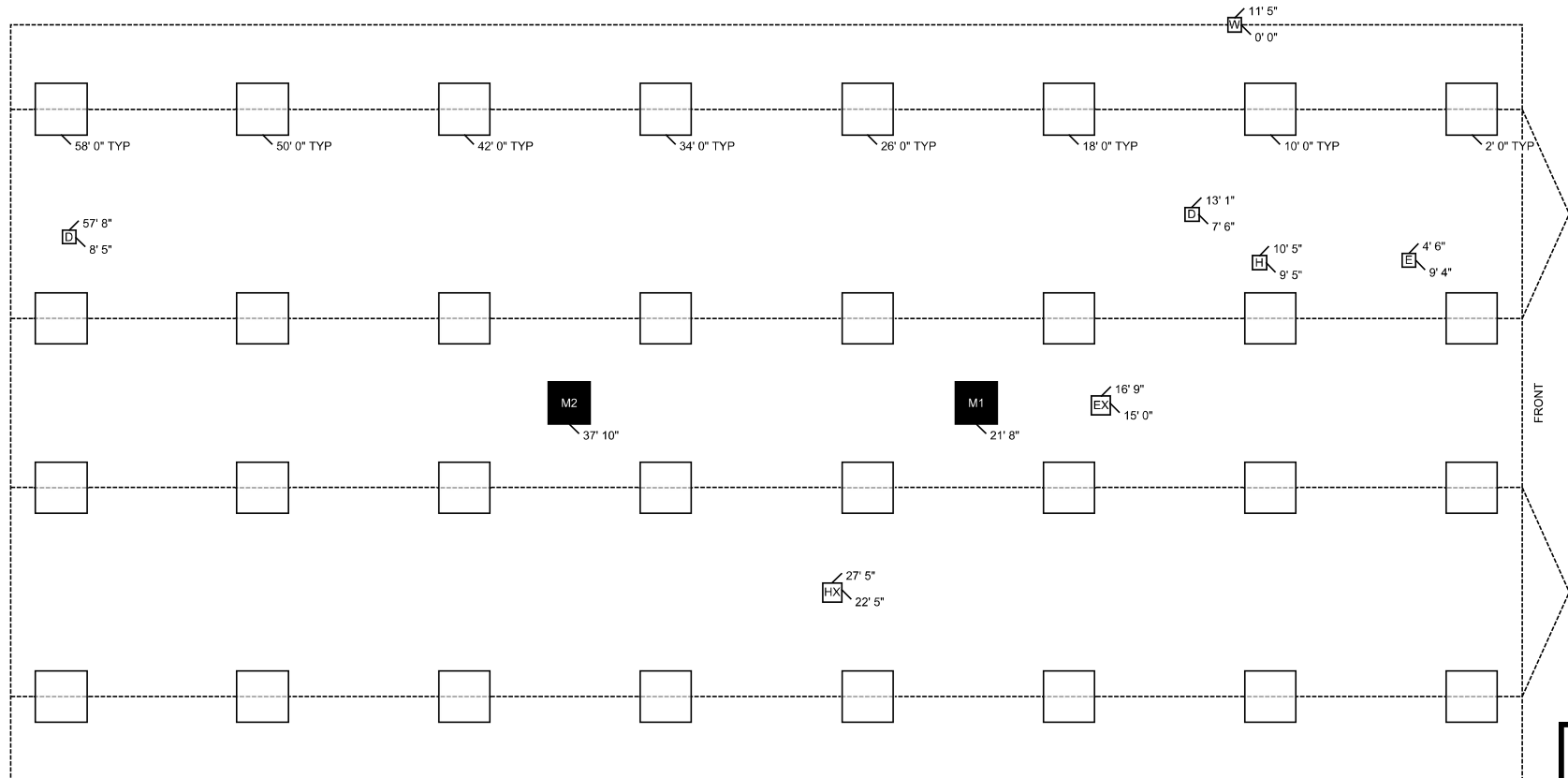
Roof Load: **20 PSF**
 Soil Bearing Cap: **1500 PSF**
 Min. I-Beam Size: **10 IN**
 Calculated Eave/Overhang: **12 IN**

Use this QR Code to access DAPIA approved tables referenced within this design. Hover your iPhone camera over the code. For Android and other devices, download a QR Code reader. Questions? Email sitecompletionqa@claytonhomes.com



TABLE 1: FRAME PIERS		
Pier Spacing	Pier Configuration	Footer Size
TYP. 8 FT 0 IN	Single stacked	24 IN x 24 IN x 8 IN
MAX. 8 FT 0 IN (Table 7)	Single stacked	24 IN x 24 IN x 8 IN

TABLE 3: MARRIAGE WALL PIERS		
Pier ID	Pier Configuration	Footer Size
M1, M2 (Table 6)	Single stacked	20 IN x 20 IN x 6 IN



3/13/2026 1:39 PM utc; Generated by Tyler Chumley

ClaytonGO: Foundation Plan Summary

Order Number:	N/A	Home Width:	30 FT 0 IN	Roof Load:	20 PSF
Model Number:	946-46ALL32603AH26 CRESTWOOD	Home Length:	60 FT 0 IN	Soil Bearing Cap:	1500 PSF
Home Building Facility:	946	Outrigger Length (O.R.):	40.25 IN	Min. I-Beam Size:	10 IN
		Chassis Spacing:	99.5 IN	Calculated Eave/Overhang:	12 IN

Use this QR Code to access DAPIA approved tables referenced within this design. Hover your iPhone camera over the code. For Android and other devices, download a QR Code reader. Questions? Email sitecompletionqa@claytonhomes.com



UTILITIES		LOCATION	
ID	UTILITY	LEFT	DOWN
D	Drain Drop	13 FT 1 IN	7 FT 6 IN
D	Drain Drop	57 FT 8 IN	8 FT 5 IN
E	Elec Entrance	4 FT 6 IN	9 FT 4 IN
EX	Elec Crossover	16 FT 9 IN	15 FT 0 IN
H	HVAC Drop	10 FT 5 IN	9 FT 5 IN
HX	HVAC Crossover	27 FT 5 IN	22 FT 5 IN
W	Water Inlet	11 FT 5 IN	0 FT 0 IN

NOTES:

1. FROST PROTECTION WILL BE PROVIDED BY PLACING FOOTERS BELOW FROST DEPTH OF 35 INCHES PER (FIGURE 5A) OR FROM LAHJ. Frost depth for interior footers may be taken as half with R5 skirting per (Table 5) [3285.312(b)]
2. HOME HAS BEEN BUILT WITH ADDITIONAL FLOOR JOIST AT SIDEWALL OPENINGS TO ELIMINATE NEED OF SIDEWALL PIERS. SIDEWALL PIERS SHALL BE PLACED WHERE INDICATED BY PIER TAGS ON HOME.
3. ALL FOOTERS WILL BE POURED CONCRETE. ALL SINGLE STACKED PIERS WILL HAVE A MINIMUM FOOTER THICKNESS OF 8 INCHES with footer depth extending below frost depth using 3,000 PSI minimum concrete (table 12) (table 10)
4. THIS PIER LAYOUT HAS BEEN DERIVED USING PE SEALED & DAPIA APPROVED INSTALLATION MANUAL AS OUTLINED ABOVE. PLEASE SEE INSTALLATION MANUAL FOR PE SEAL AND DAPIA APPROVAL. (Reference to Clayton Homes DAPIA approved Installation manual) [Reference to Federal Statutes 24 CFR Part 3280, 3285 or 3286]

